

MARINE WATERMAKERS

Stop Rationing Water - Start Living



ABOUT US

Born from the ocean. Built to last.

Since 2021, PureOcean Marine has grown from servicing and upgrading marine watermakers to engineering our own. Having seen firsthand what fails offshore—corroded pumps, fragile electronics, and overpriced proprietary parts—we knew there was a better way.

Today, as a dedicated source manufacturer, we design and build a complete range of premium desalination systems, from portable units to high-output yacht systems.

The PureOcean Difference:

Precision Metallurgy: Engineered with 316L Stainless Steel, 2507 Super Duplex, and Solid Titanium internals to outlast harsh saltwater environments.

Mechanical Reliability: Robust, straightforward designs that are easy to operate and troubleshoot miles from shore. Built for the DIY sailor, designed for ultimate dependability.

Universal Consumables: We use industry-standard RO membranes and filters. No expensive proprietary traps, ensuring affordable and globally accessible maintenance.

By controlling our own manufacturing, we deliver industrial-grade watermakers with an unmatched quality-to-price ratio. We empower sailors with fresh water freedom, while providing our global dealer network with highly competitive and reliable solutions.

Stop rationing water. Start living.

CONTENTS

01 | **SE Series**
Compact Modular Watermakers

03 | **Pro Series**
Pro Modular Watermakers

07 | **Ultra Series**
Premium Integrated Watermakers

11 | **GO Series**
Portable Watermakers



SE Series

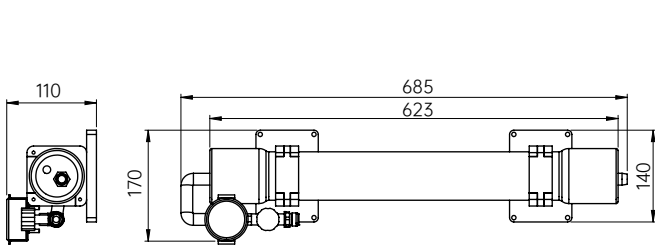
Compact Modular Watermakers

- 💧 **Ultimate Space Utilization:** Designed for tight lockers and compact bilges. The SE Series separates core components to maximize every inch of your vessel’s available space.
- 💧 **Pure Mechanical Reliability:** We eliminated fragile electronic boards. 100% manual operation ensures foolproof troubleshooting and absolute dependability for long-distance ocean crossings.
- 💧 **Unbeatable Value:** Streamlined engineering strips away unnecessary complexity, delivering industrial-grade desalination at an exceptional price point.
- 💧 **Dependable Output Options:** Available from 45 L/h (12 GPH) to 140 L/h (37 GPH) capacities, perfectly matching the daily freshwater needs of most cruisers.
- 💧 **Maximum Installation Flexibility:** Each module can be mounted independently. It is the perfect blank canvas for sailors who demand a clean, customized DIY installation.

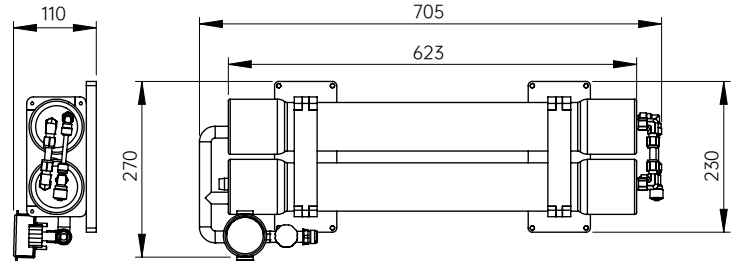
PARAMETER

Model	SE45S	SE80	SE80S	SE140	SE45S-DC	SE80S-DC
Water production	45L/h (12GPH)	80L/h (21GPH)	80L/h (21GPH)	140L/h (37GPH)	45L/h (12GPH)	80L/h (21GPH)
Membrane type	SW2521 × 1PC	SW2540 × 1PC	SW2521 × 2PCS	SW2540 × 2PCS	SW2521 × 1PC	SW2521 × 2PCS
Product water quality	<500ppm					
Working pressure	800psi (55bar)					
Seawater temp. range	+4°C~38°C					
Membrane vessel material	FRP					
Power supply	AC220V / AC110V 0.7kW	AC220V / AC110V 0.8kW	AC220V / AC110V 0.8kW	AC220V / AC110V 1.6kW	DC12V/24V/48V 0.65kW	DC12V/24V/48V 0.8kW
Operating time	Ambient temp < 35°C					

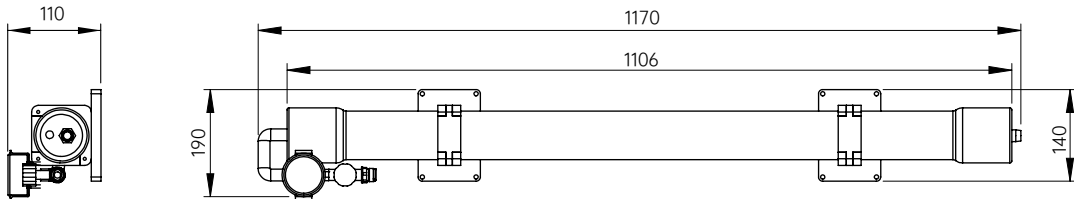
RO Membrane Module Dimensions



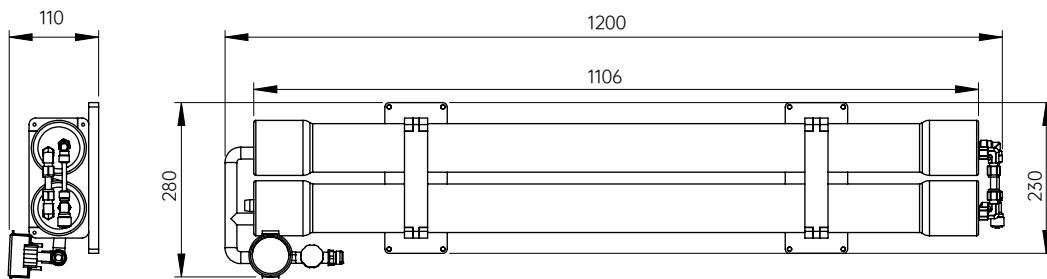
SE45S & SE45S-DC



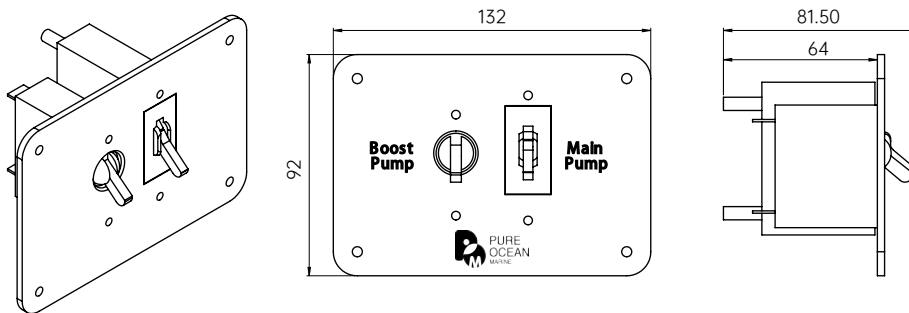
SE80S & SE80S-DC



SE80



SE140



SE Series Control Panel



Pro Series

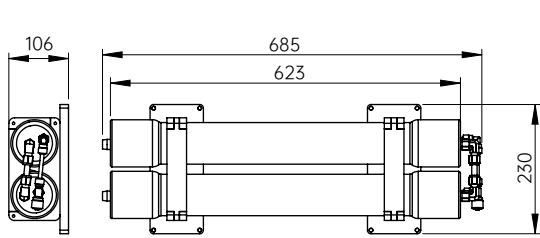
Pro Modular Watermakers

- 💧 **Centralized Professional Control:** The defining feature of the Pro Series is its beautifully integrated, stainless-steel dashboard. Monitor high/low pressures and adjust flow rates at a single glance, giving the captain ultimate command.
- 💧 **High-Yield Capacity:** Engineered to produce from 80 L/h (21 GPH) to 300 L/h (80 GPH). It rapidly fills the freshwater tanks of offshore cruisers and larger yachts, minimizing generator run times.
- 💧 **Analog Reliability:** Designed specifically for serious ocean voyages. We replaced fragile electronic screens with robust, marine-grade analog gauges and manual valves, ensuring foolproof operation in the harshest seas.
- 💧 **Uncompromised Modularity:** While offering centralized control, the core components (pump, membranes) remain separate for flexible installation in distributed engine room spaces, making maintenance exceptionally easy.

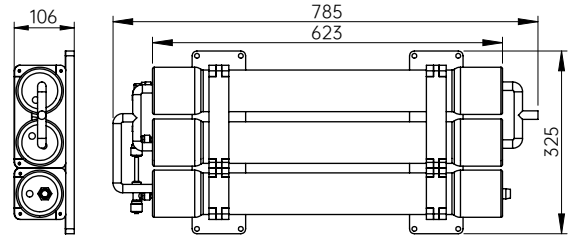
PARAMETER

Model	Pro80	Pro80S	Pro105S	Pro140	Pro200	Pro300
Water production	80L/h (21GPH)	80L/h (21GPH)	105L/h (28GPH)	140L/h (37GPH)	200L/h (53GPH)	300L/h (80GPH)
Membrane type	SW2540 × 1PC	SW2521 × 2PCS	SW2521 × 3PCS	SW2540 × 2PCS	SW2540 × 3PCS	SW2540 × 4PCS
Product water quality	<500ppm					
Working pressure	800psi (55bar)					
Seawater temp. range	+4°C~38°C					
Membrane vessel material	FRP					
Power supply	AC220V / AC110V 0.8kW	AC220V / AC110V 0.8kW	AC220V / AC110V 1.5kW	AC220V / AC110V 1.6kW	AC220V / AC110V 3kW	AC220V / AC110V 3.8kW
Operating time	Ambient temp < 35°C					

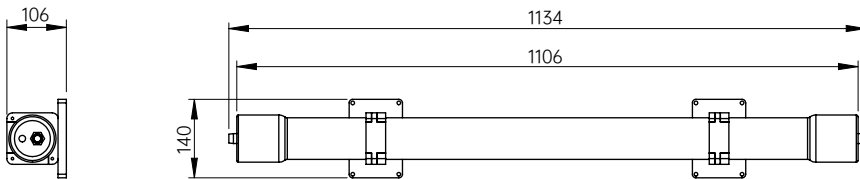
RO Membrane Module Dimensions



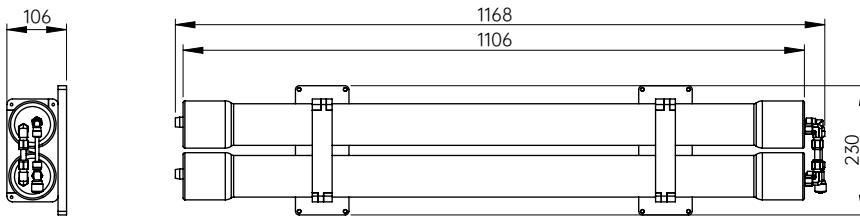
Pro80S



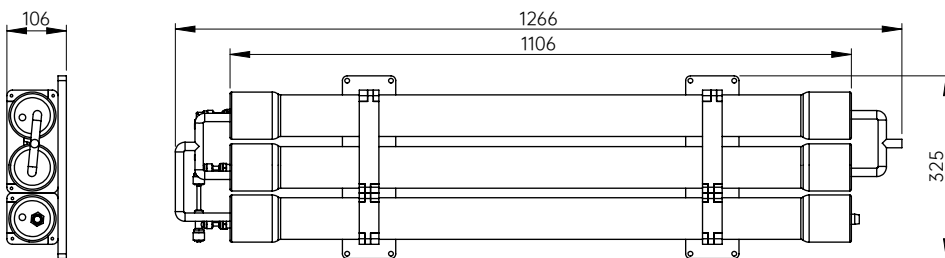
Pro105S



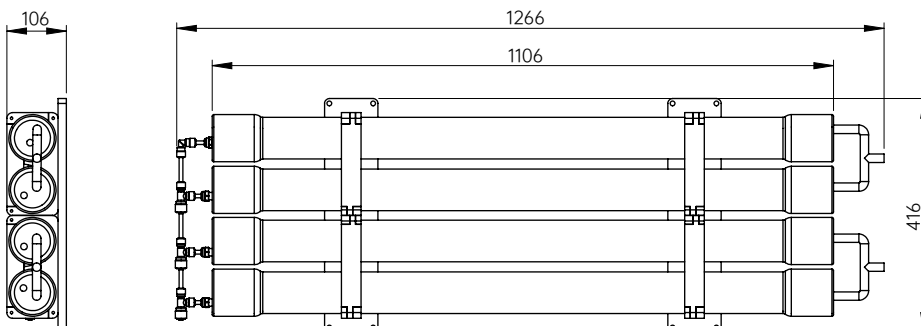
Pro80



Pro140



Pro200



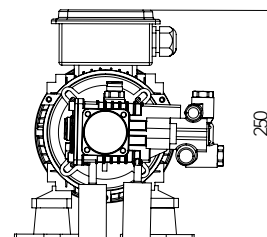
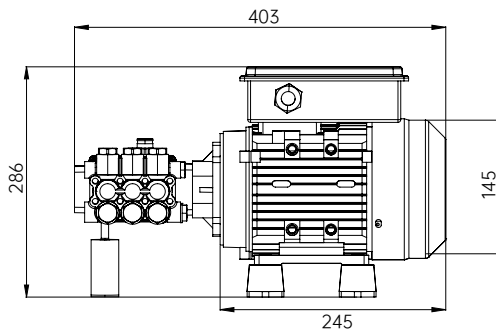
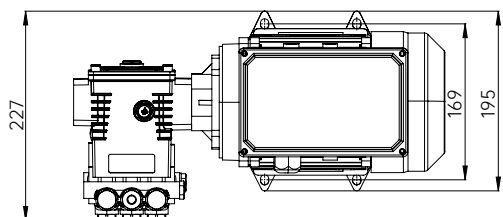
Pro300

Main Module Dimensions

High-pressure Pump

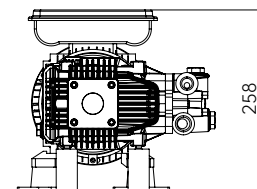
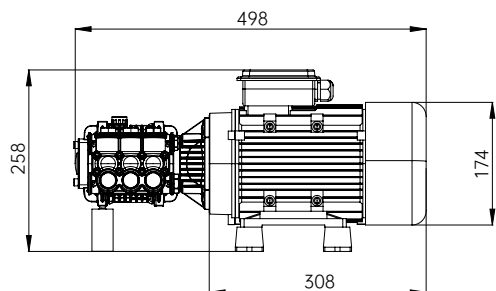
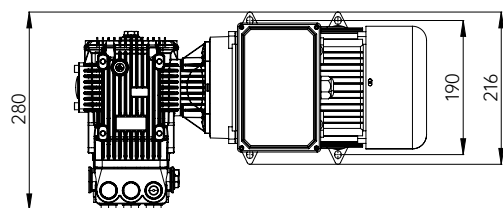
PHL06

Applicable to SE45S SE80 SE80S Pro80 Pro80S



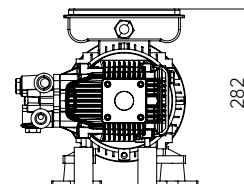
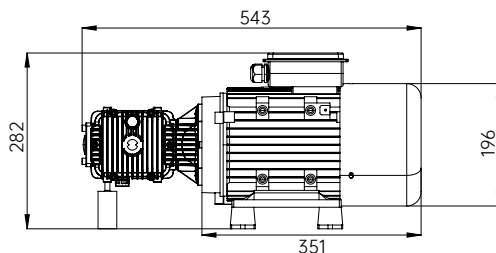
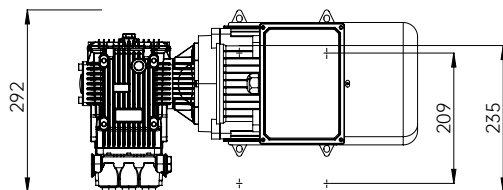
PHL08

Applicable to Pro105S Pro140



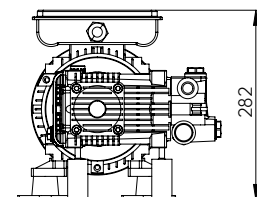
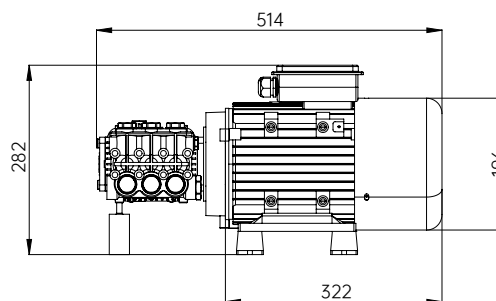
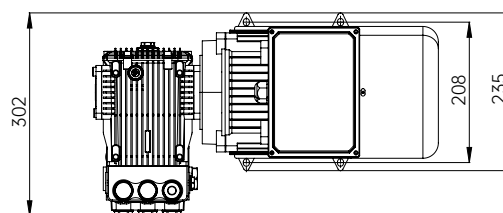
PHL15

Applicable to Pro200



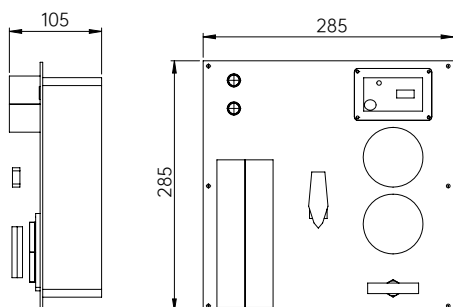
PHL16

Applicable to Pro300

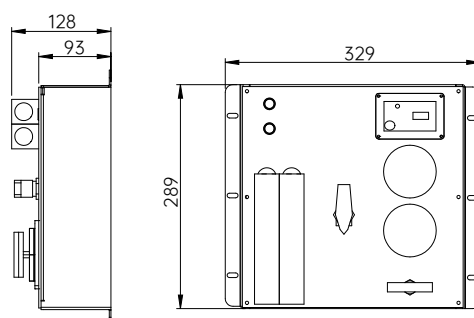


Control Panel

Embedded Control Panel



Control Panel With Frame

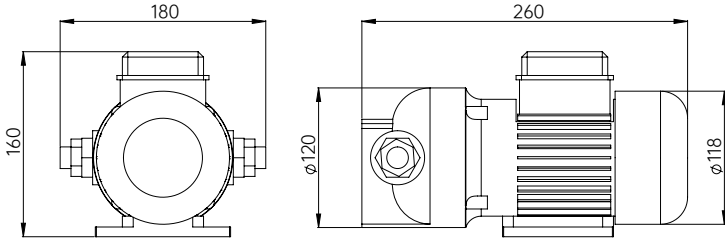


Main Module Dimensions

Low-pressure Pump

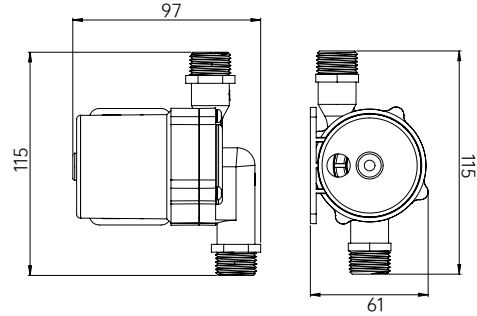
POL-25

Applicable to SE80
SE80S Pro80 Pro80S



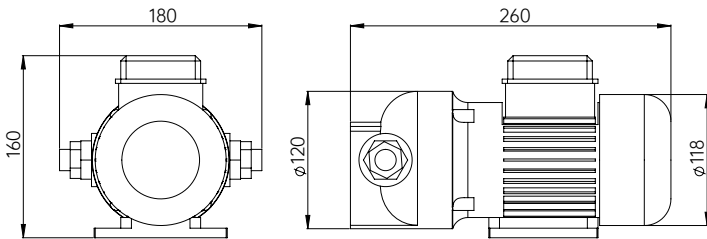
POL-20D

Applicable to SE45S
SE45S-DC SE80S-DC



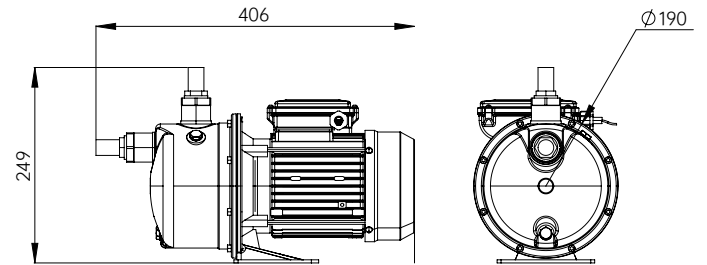
POL-40

Applicable to SE140 Pro105S
Pro140 Ultra105S Ultra140



POL-70

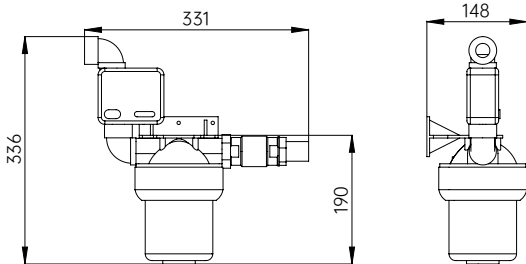
Applicable to Pro200 Pro300
Ultra200 Ultra300 Ultra500



Filters

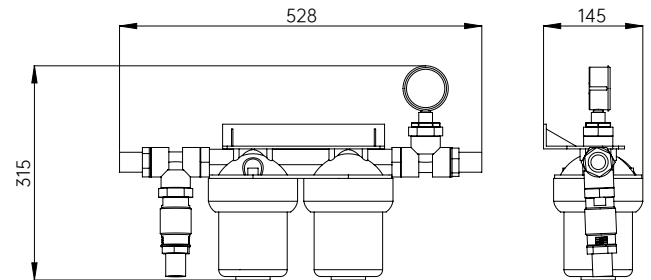
5" Carbon Filter

Applicable to SE45S SE80
SE80S Pro80 Pro80S



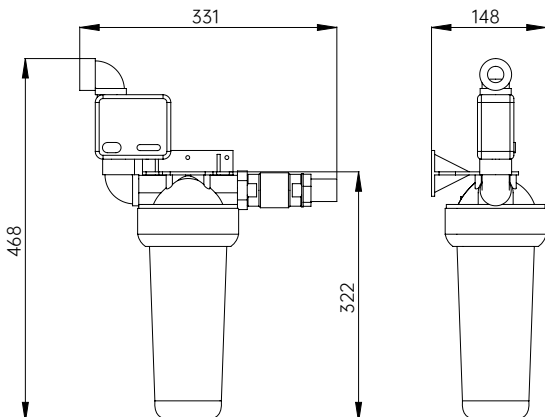
5" Pre-filter

Applicable to SE45S SE80
SE80S Pro80 Pro80S



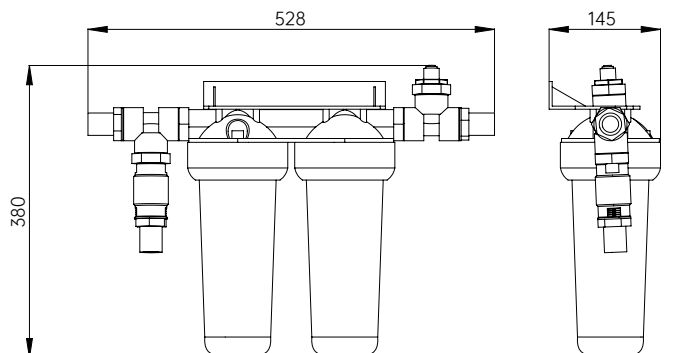
10" Carbon Filter

Applicable to SE80 SE80S
Pro80 Pro80S Pro105S
Pro140 Pro200 Pro300



10" Pre-filter

Applicable to SE80 SE80S
Pro80 Pro80S Pro105S
Pro140 Pro200 Pro300





Ultra Series

Premium Integrated Watermakers

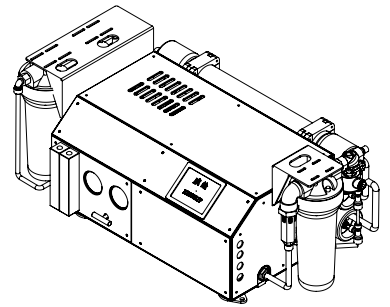
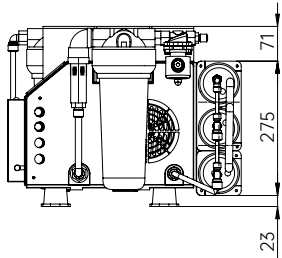
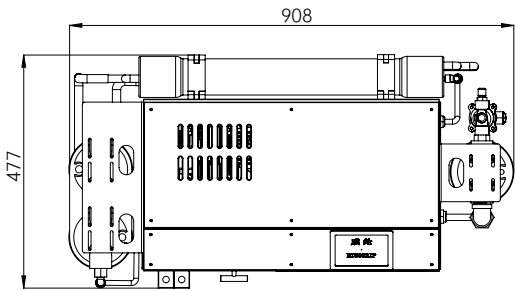
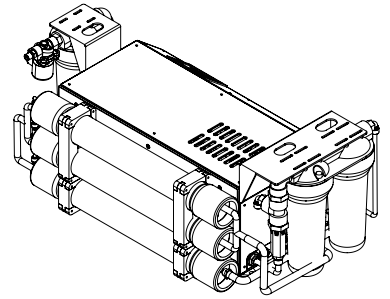
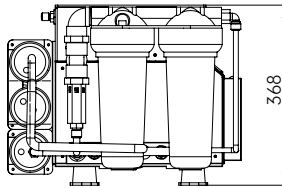
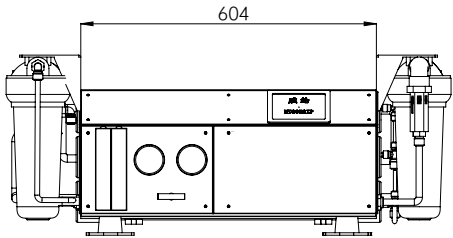
- ◆ **Sleek All-In-One Architecture:** Housed in a beautifully crafted, corrosion-resistant white frame, the Ultra Series pre-plumbs the pump, membranes, and filters into one clean, compact powerhouse. Perfect for flawless engine room aesthetics.
- ◆ **High-Volume Production:** Engineered to deliver massive freshwater capacities ranging from 105 L/h (27 GPH) to an impressive 500 L/h (132 GPH) . It effortlessly sustains the heavy water demands of luxury yachts and superyacht tenders. High volume no longer means sacrificing precious engine room space.
- ◆ **Command from the Helm:** Equipped with an intuitive integrated digital panel and a robust 30-meter remote control screen. Monitor water quality, check system status, and initiate production directly from the bridge or saloon.
- ◆ **Whisper-Quiet Operation:** The heavy-duty frame design significantly reduces vibration and noise, ensuring your offshore living remains serene while the system quietly fills your tanks in the background.

PARAMETER

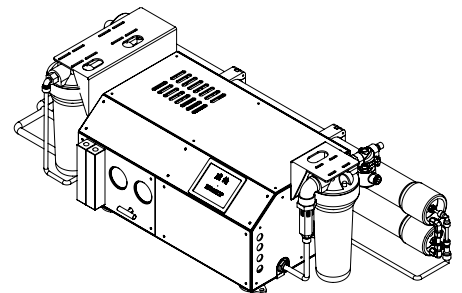
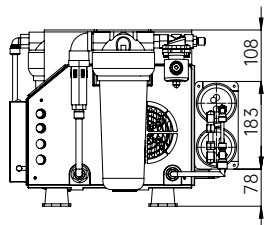
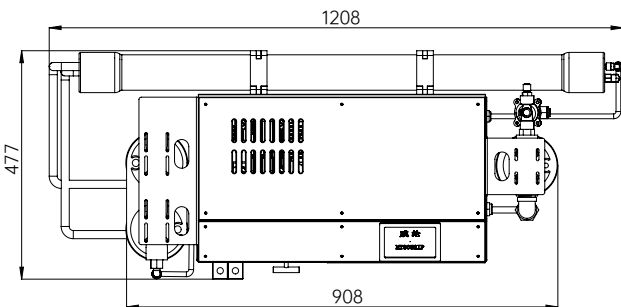
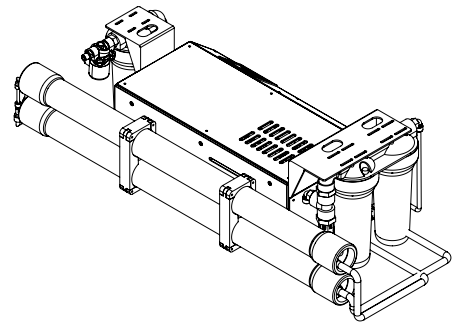
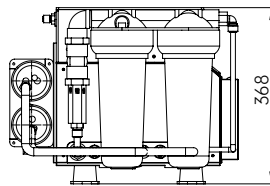
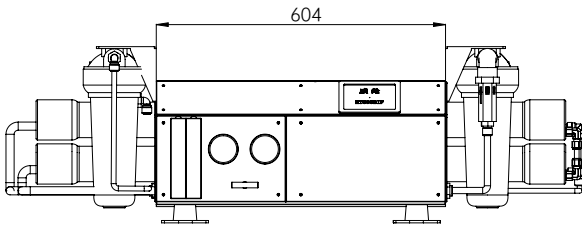
Model	Ultra105S	Ultra140	Ultra200	Ultra300	Ultra500
Water production	105L/h (27GPH)	140L/h (37GPH)	200L/h (52GPH)	300L/h (80GPH)	500L/h (132GPH)
Membrane type	SW2521 × 3PCS	SW2540 × 2PCS	SW2540 × 3PCS	SW2540 × 4PCS	SW4040 × 1PC
Product water quality	<500ppm				
Working pressure	800psi (55bar)				
Seawater temp. range	+4°C~38°C				
Membrane vessel material	FRP				
Power supply	AC220V / AC110V 1.6kW	AC220V / AC110V 1.8kW	AC220V / AC110V 3kW	AC220V / AC110V 3.8kW	AC220V / AC110V 4.8kW
Operating time	Ambient temp < 35°C				

Ultra Frame Dimensions

Ultra105S

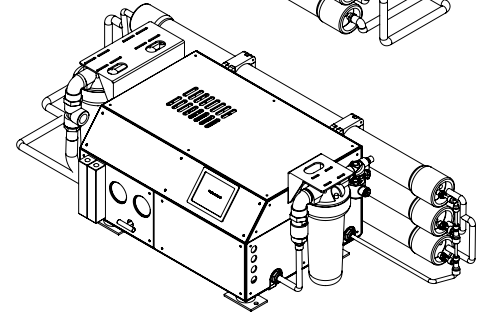
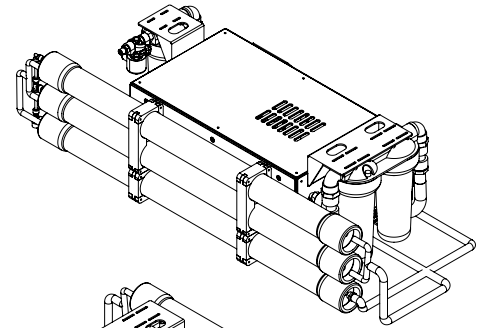
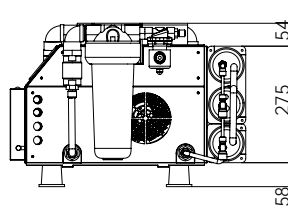
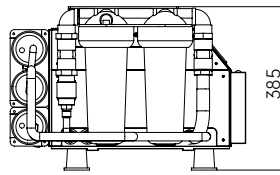
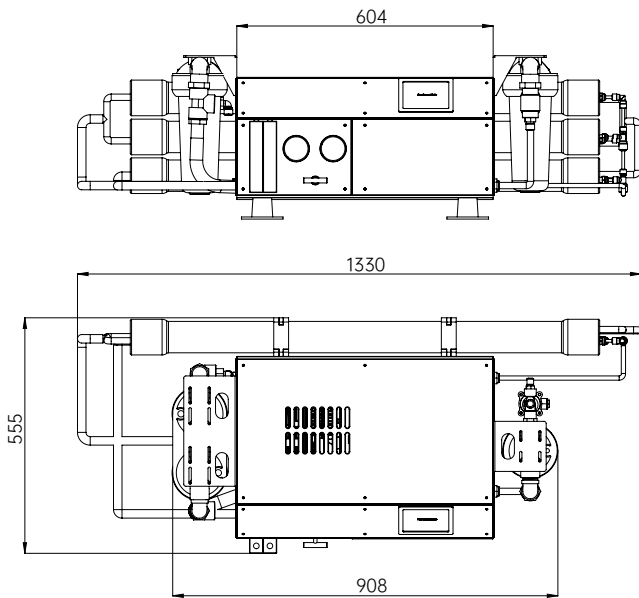


Ultra140

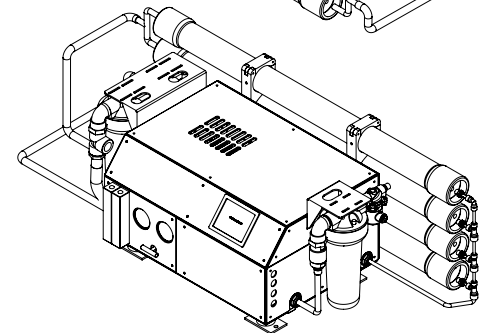
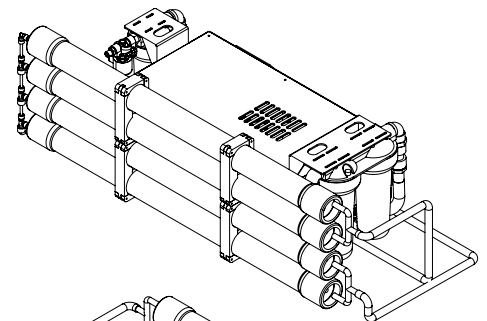
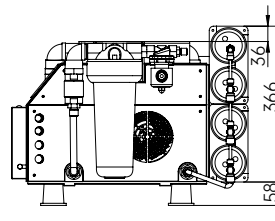
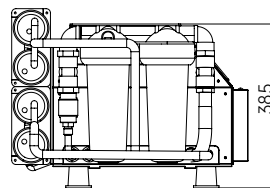
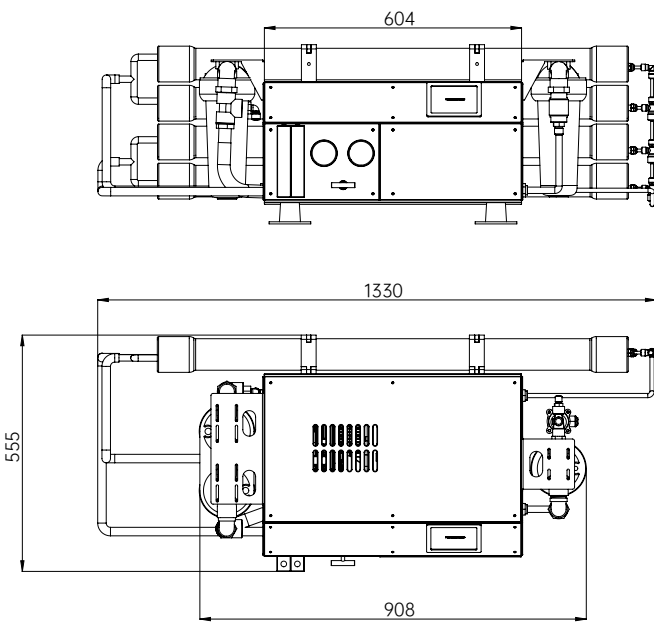


Ultra Frame Dimensions

Ultra200

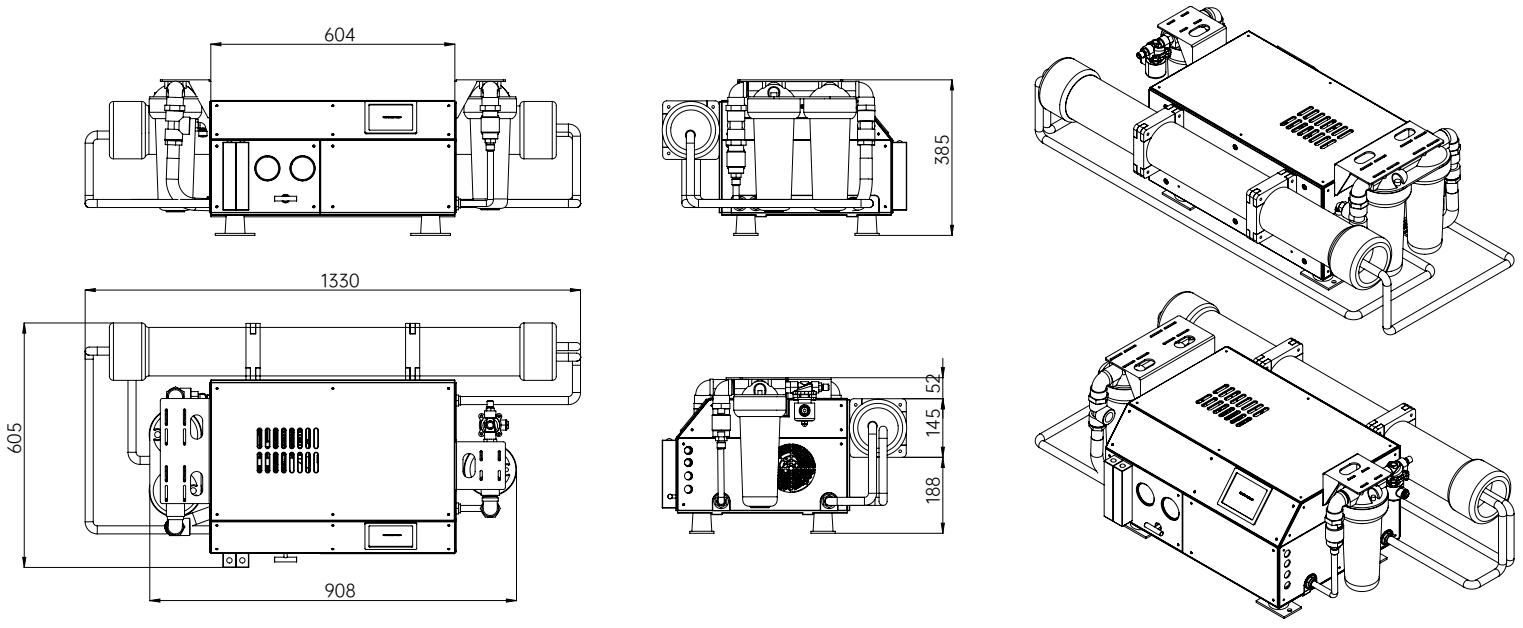


Ultra300

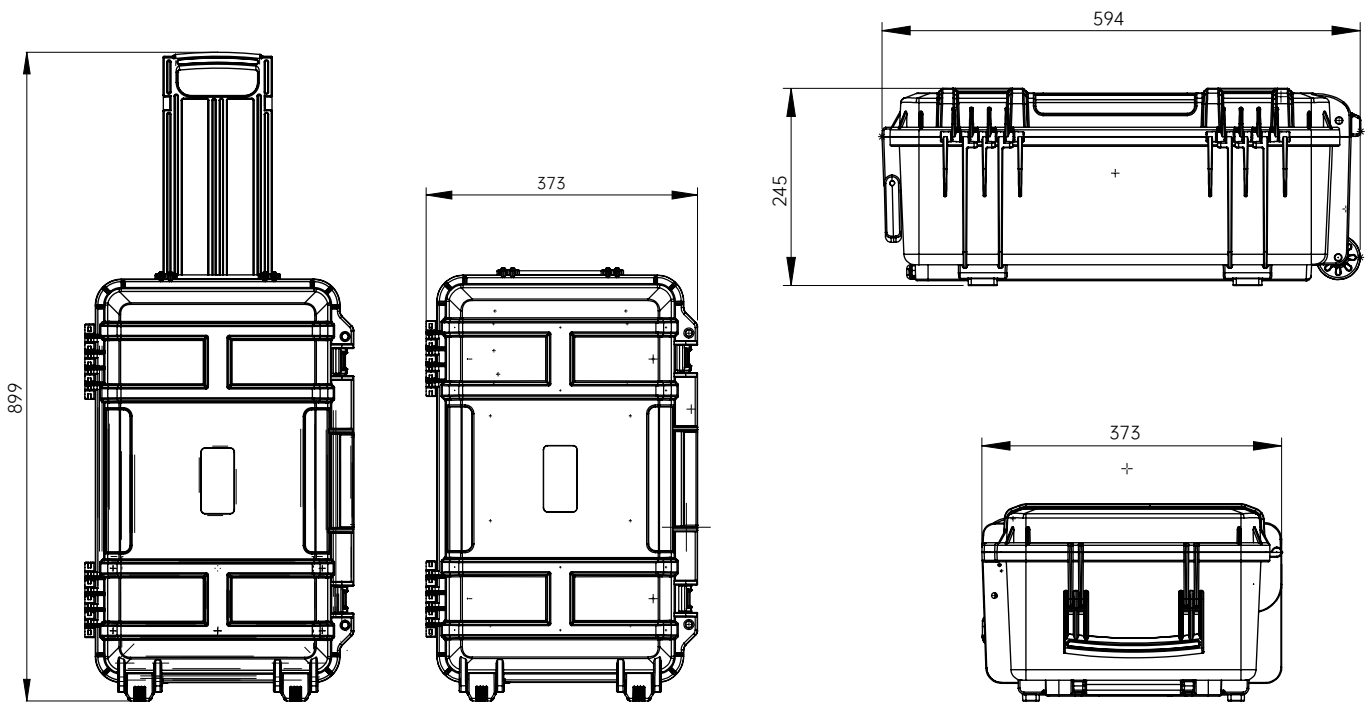


Ultra Frame Dimensions

Ultra500



GO45 Dimensions





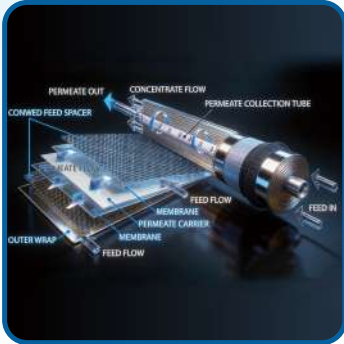
GO Series Portable Watermakers

- 💧 **Suitcase-Sized Mobility:** Weighing just 32kg (70 lbs) with the exact footprint of a 24-inch travel suitcase. It is designed to be easily stowed, carried, and deployed anywhere on deck.
- 💧 **True Plug & Play:** Zero permanent installation required. Simply drop the intake hose overboard, connect to your AC power source, and start making fresh water instantly.
- 💧 **Dependable Output:** Delivers a reliable 45 L/h (12 GPH) of crystal-clear drinking water. It's the perfect match for small boats, weekend fishing trips, or as a rugged emergency backup system.
- 💧 **Generator Friendly:** Engineered with high-efficiency AC power consumption. It runs effortlessly on small portable generators (like a standard 2kVA unit) or shore power.
- 💧 **Offshore Tough:** The entire system is encased in a heavy-duty, splash-proof protective box, built to survive harsh marine environments, salt spray, and rough handling.

PARAMETER

Model	GO45
Water production	35-50 L/h (9-13GPH)
Membrane type	SW2514 × 2PCS
Product water quality	< 500 ppm
Working pressure	800 psi (55 bar)
Seawater temperature range	+4°C~38°C
Material of membrane vessel	FRP
Power supply	AC220V / AC110V 0.8kW
Operating time	Ambient temp < 35°C
Product dimensions	L582mm * W372mm * H232mm
Weight	32kg

WHY PUREOCEAN MARINE



Advanced RO Filtration Technology

At the core of every PureOcean system is our high-rejection Reverse Osmosis membrane. Engineered with microscopic precision, it strips away 99.7% of salt, viruses, and impurities, delivering crystal-clear, perfectly safe drinking water directly from the sea.

Universal Standard Consumables

We don't trap you with expensive, proprietary parts. Our systems use industry-standard RO membranes and pre-filters. This means you can easily find affordable replacements at almost any marine chandlery worldwide, keeping your long-term maintenance costs low.



Marine-Grade Connectors & Food-Grade Hoses

Built to outlast the salt. We utilize 316L and 2507 Super Duplex Stainless Steel for critical high-pressure fittings, alongside Titanium internals. Paired with certified food-grade tubing, we guarantee corrosion-free performance and fresh water with absolutely no plastic taste.

Solution for Every Boat

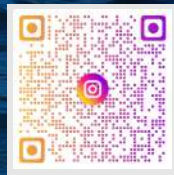
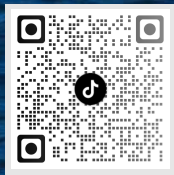
We don't believe in one-size-fits-all. PureOcean Marine offers a comprehensive portfolio tailored to your exact needs. From modular systems (SE & Pro Series) for tight spaces, to premium integrated frames (Ultra Series) for luxury yachts, and plug-and-play portables (GO Series). Whatever your vessel size or daily freshwater demand, you'll find the perfect desalination solution here.





Stop rationing water — Start living

www.pureoceanmarine.com



SUPPORT: info@pureoceanmarine.com
S A L E S : sales@pureoceanmarine.com